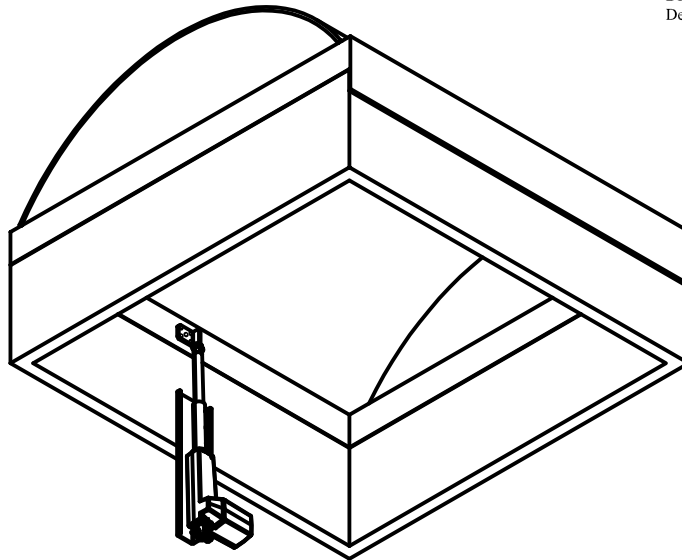
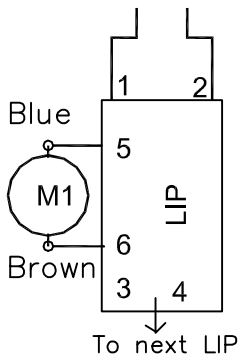


Connection 24V/1A -
48V/0,5A 1000N
+ on 1, the motor opens

Actulux A/S
2. Haandvaerkervej
DK 9560 Hadsund
Denmark

Phone int.: +45 98 57 1955
Fax int.: +45 96 57 1591
e-mail: info@actulux.com
www.actulux.com



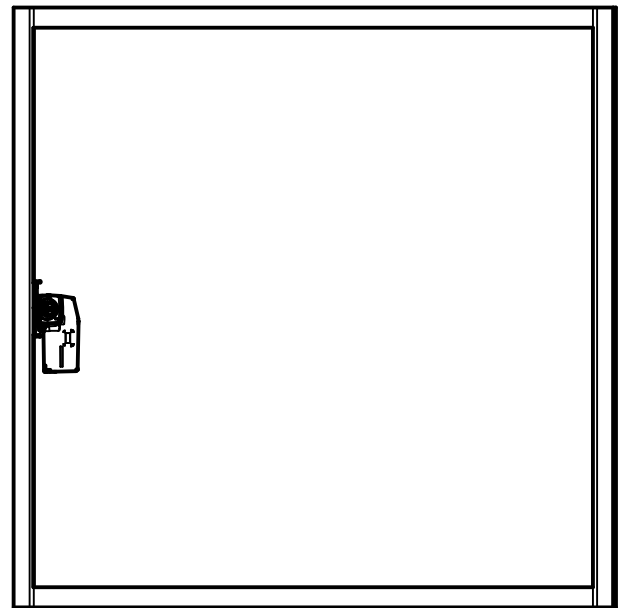
Important information during installation.

The actuator is placed in the center of the skylight.

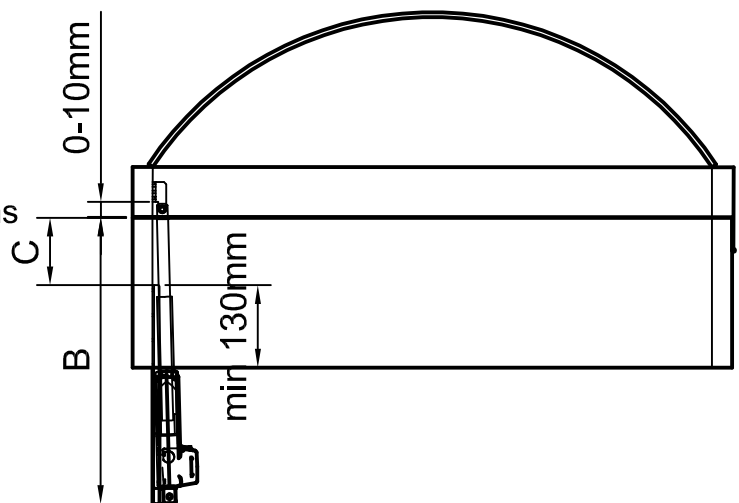
In connection with installation of 2 actuators in larger skylights these should be placed appropriate, e.x. 250 - 300 mm from each end.

The upper mounting plate (top plate) should be placed 0 - 10 mm above the lowest edge of the opening frame.

The lowest mounting plate should be placed in the fixed frame and approx. 75 mm should be between the plates in closed condition.



A - Stroke	B - Total height	C - Dimensions
500	730	290
400	575	135
330	575	135
230	423	0



Important information regarding electrical connection.

The opening system **must always** be connected with an overload interrupter (type LIP) in front of the actuator in order to protect the actuator and skylight in connection with blocking.

The actuator will be destroyed if the overload interrupter is not installed in front of the the actuator.