

Rotary 100 Installation

Place the Actulux Rotary 100 opening system in the center of the skylight in the hinge side.

The main part (below part) is fastened to the frame with at least 8 screws.

(If the opening system is used as access way, it can be placed in the side of the frame).

In order to limit the opening angle the Rotary 100 can be equipped with an actuator stop kit (part no. 220285).

The upper frame for the arm of the actuator is mounted 0-10 mm above the top of the lower skylight body frame.

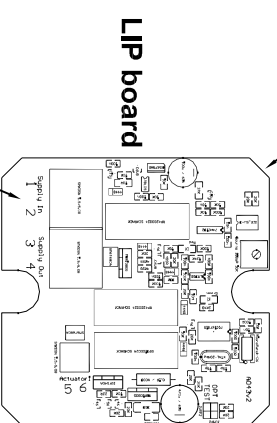
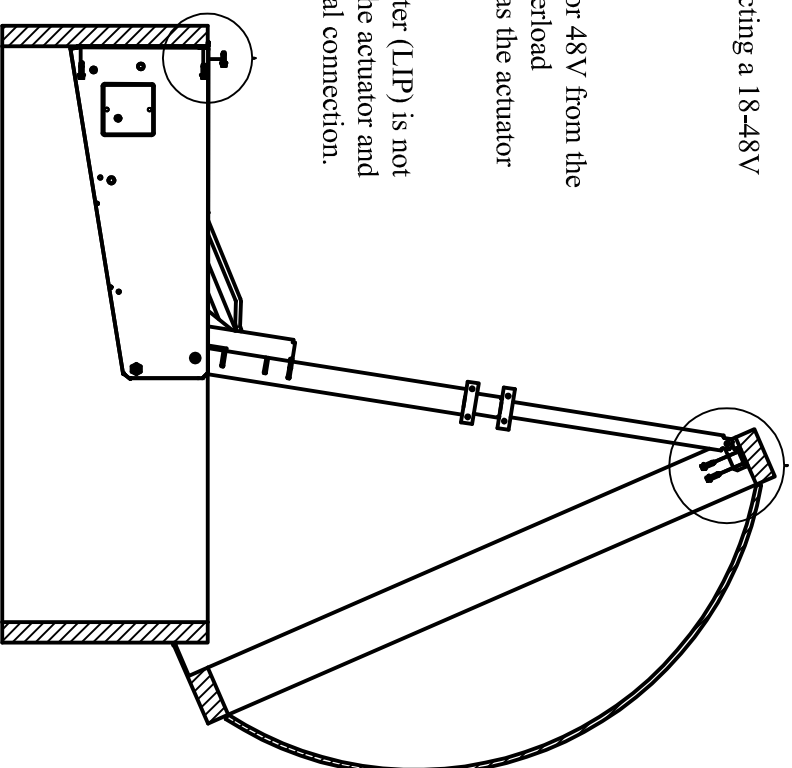
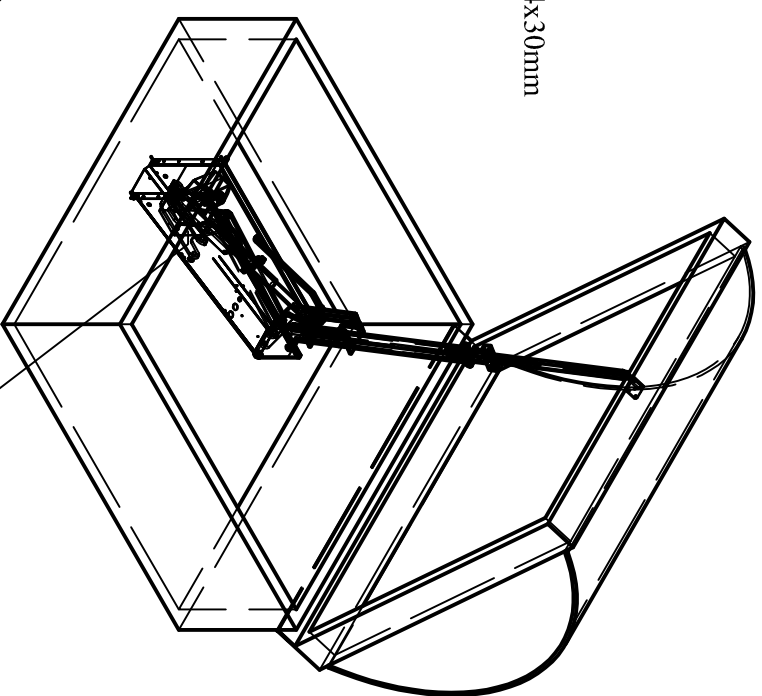
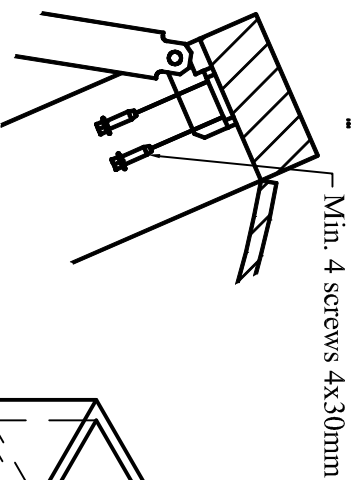
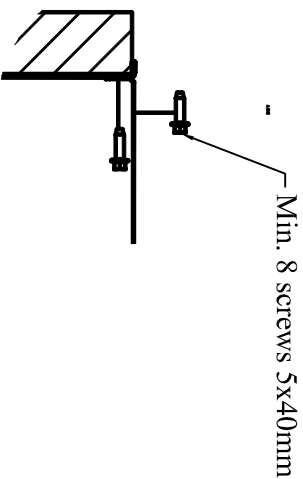
All adjustments are made from factory. No further mechanical or electronic adjustments are necessary.

The actuator can be test operated up and down by connecting a 18-48V battery on the test wires.

Important information during electrical connection

The opening system **must always** be connected to 24V or 48V from the control panel. Connect through terminal 1 & 2 on the overload interrupter (LIP) that is fitted in series with the actuator as the actuator has no limit switches.

The actuator will be destroyed if the overload interrupter (LIP) is not installed in series with the actuator. Please see label on the actuator and label inside the lid of the LIP concerning correct electrical connection.



Connection
24V or 48VDC
from control panel

Actulux

Actulux A/S
2. Haandvaerkervej
DK 9560 Hadsund
Denmark

Phone int.: +45 98 57 40 90
Fax int.: +45 96 15 28 00
e-mail: info@actulux.com
www.actulux.com

222398