

Fire Switch WSK for Smoke Ventilation Systems, IP65

Description

The fire switch is delivered in a IP65 box for e.g. outdoor installation and is developed to be used together with the Actulux smoke ventilation system.

Function:	Alarm (open), reset and off Sound indicator
LED indication:	"ok "error" (yellow) "alarm activated" (red)
Size:	175 mm x 145 mm x 115 mm (W x H x D)
Colour:	Grey
Protection degree:	IP65

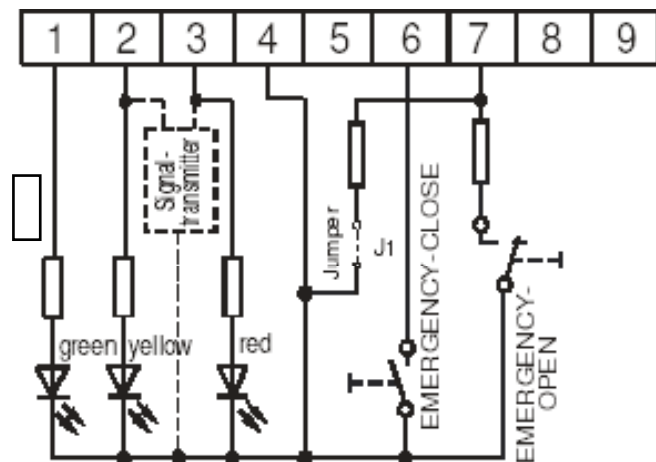


Connection diagram for fire switch

Terminals:

1. green LED OK (lights when OK and while closing)
2. yellow LED (lights on error)
3. red LED alarm (emergency opening)
4. ground (-)
5. not used
6. fire switch reset
7. fire switch emergency opening

Jumper J1 must **only** be set in the last or only fire switch.



Operation instruction:

During fire:

Open the lid and activate the red button.

NB: During test open the lid and activate the red button.

Closing and alarm receipt:

Open also inner lid using the key - activate the black reset button, alarm is reset and skylights are closed.