

Electrical Opening System - SA Power Large

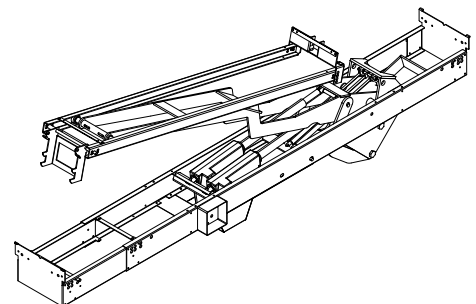
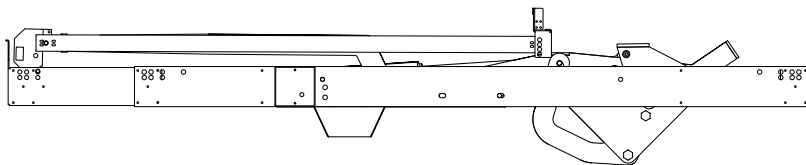
Description

With the SA Power Large Actulux is again raising the standard within the electrical opening and closing of skylights, smoke hatches and glass roofs where there is a need for fire and comfort ventilation, according to the new European standard EN 12101-2.

The opening system is based on a unique geometrical movement by means of two electrical actuators, which are fitted in a system for which a patent is applied. This system gives a maximum stability and power exploitation both for opening and closing. The opening system is especially suitable for large single flap skylights up to 250 cm width.

The opening system has an elegant design, which with its single and compact opening principle demands a minimum of space in closed position as well as in operation (It does not take space in the room under the skylight or smoke hatch). This gives the possibility to pre-install the opening system.

The electrical actuators are connected with a built-in electronic current limiter (type LIP) that works as an overload protector by end stop and locking. At the same time, it gives the possibility to determine the current consumption as well as the opening speed.



Features

- Input: 48V DC or 24V DC
- Low current consumption with intelligent adjustment by current limiter type LIP (48V=max. 4A / 24V=max. 8A)
- For skylight sizes: Width: 150-250 cm
Length (hinge side): up to 250 cm
- Lifting power up to 320 kgs lid weight incl. snow load
- Opening angle: 0° til 160°
- Opening speed: max. 60 seconds
- Degree of protection: IP54
- Meet the demands according to EU Standard EN12101-2
- Extremely low noise level
- No maintenance, only min. one yearly inspection according to the legislation in force
- Patent pending opening system
- Unique design with small space requirement, which gives the possibility to pre-install