

Fire Switch WSK for Smoke Ventilation Systems, IP40

Description

The fire switch is developed to be used together with the Actulux smoke ventilation system.

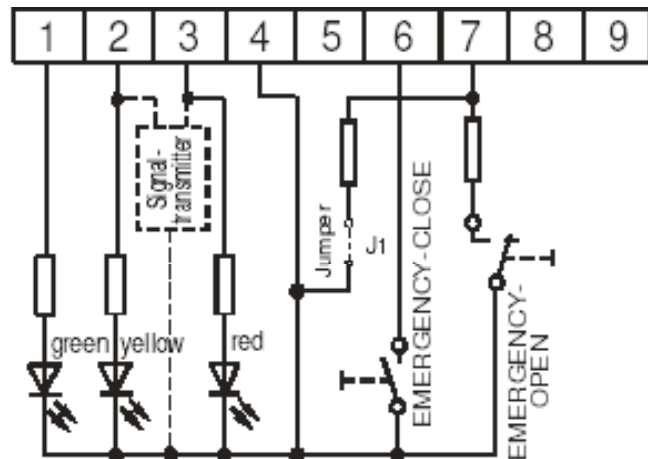
- Function: Alarm (open),
reset and off
Sound indicator
- LED indication: "ok
"error" (yellow)
"alarm activated" (red)
- Size: 125 mm x 125 mm x
36 mm (W x H x D)
- Colour: Grey
- Protection degree: IP40



Connection diagram for WSK 320

Terminals:

1. green LED OK (lights when OK and while closing)
2. yellow LED (lights on error)
3. red LED alarm (emergency opening)
4. ground (-)
5. not used
6. fire switch reset
7. fire switch emergency opening



Jumper J1 must only be set in the last or only fire switch

Operation instruction:

During fire:

Break the glass and activate the red button.

NB: During test open the lid and activate the red button.

Closing and alarm receipt:

Open the lid - activate the black reset button, alarm is reset and skylights are closed.