

230V LIP-supply

Description

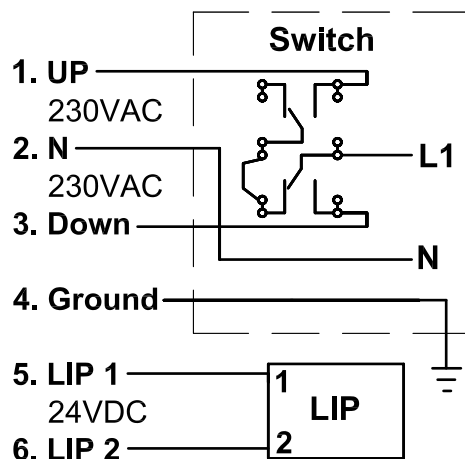
This 230V LIP-supply is designed for installations only to be used as comfort ventilation/access ways.

The supply unit consists of a power supply and a change-over-relay, and a terminal block for installation of the supply wires 230V and 24V DC for LIP.

The unit is supplied with 230V through an Actulux comfort switch (part no. 111753 or 111758) according to the below diagramme.



Connection



Ø1 Up - Ø2 N. - Ø3 Down - Ø4 Ground
- Ø5 LIP Ø1 - Ø6 LIP Ø2.

Technical specifications

Supply	: 190 - 250V AC
Output	: 24V DC with polarity change
Size (WxHxD)	: 180 x 110 x 60 mm
Colour	: Grey
Density	: IP66
Marking	: CE
Part no.	: 121440