

## SA Power Installation

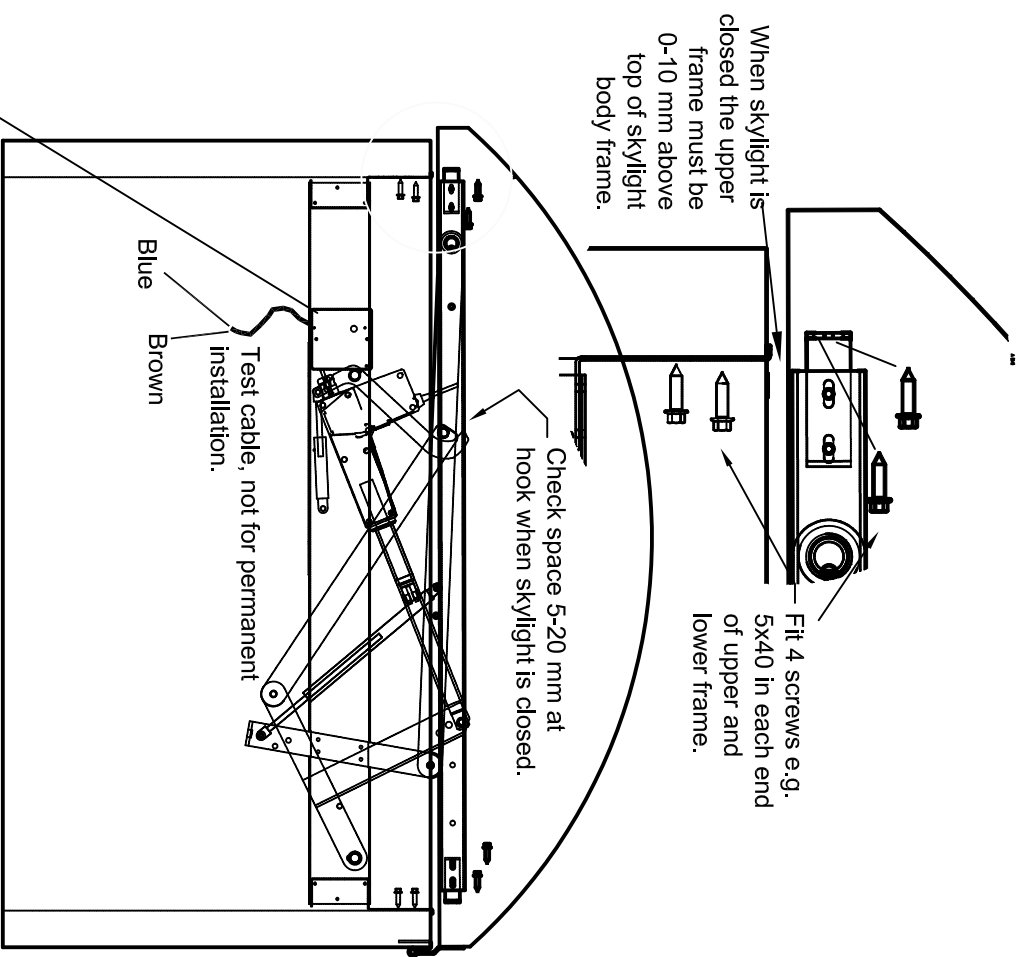
Place the Actulux SA Power opening system in center of the skylight.

- 1) The main part with the actuator and arm system is lowered into the skylight body frame, and fixed by 4 screws in each end. The grey plastic actuator body should be opposite to the hinges.
- 2) The upper frame is mounted with 4 screws in each side. The U-rails must be 0-10 mm above the top of the lower skylight body frame.
- 3) All adjustments are made from factory. No further mechanical or electronic adjustments are necessary.
- 4) The actuator can be test operated up and down by connecting a 18-48V battery on the test wires. When the black wheels are aligned with the U-rail cut the plastic strip, which holds the spring loaded wheels. The wheels expand into the U-rails.

## Electrical Connection Information

- 5) The opening system **must always** be connected to 24 or 48VDC from the control panel. Connect through terminal 1&2 on the overload interrupter (LIP) that is fitted in series with the actuator, as the actuator has no limit switches.

**The actuator will be destroyed** if the overload interrupter (LIP) is not installed in series with the actuator. The test cable is not fireproof. Do not use for permanent connection.



Electrical connection  
24 or 48VDC from control.

# Actulux

Actulux A/S  
2. Haandvaerkervej  
DK 9560 Hadsund  
Denmark

Phone int.: +45 98 57 40 90  
Fax int.: +45 96 15 28 00  
e-mail: info@actulux.com  
www.actulux.com

## 110780